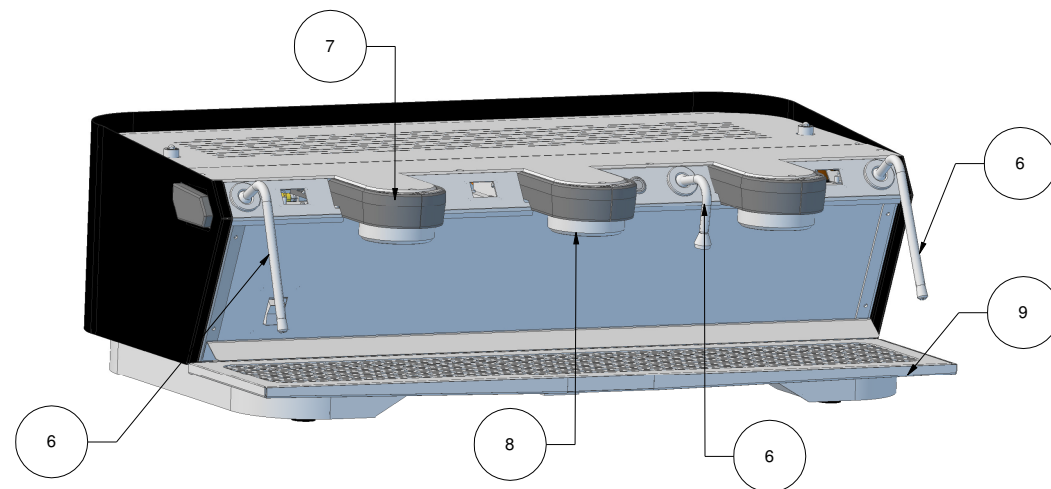
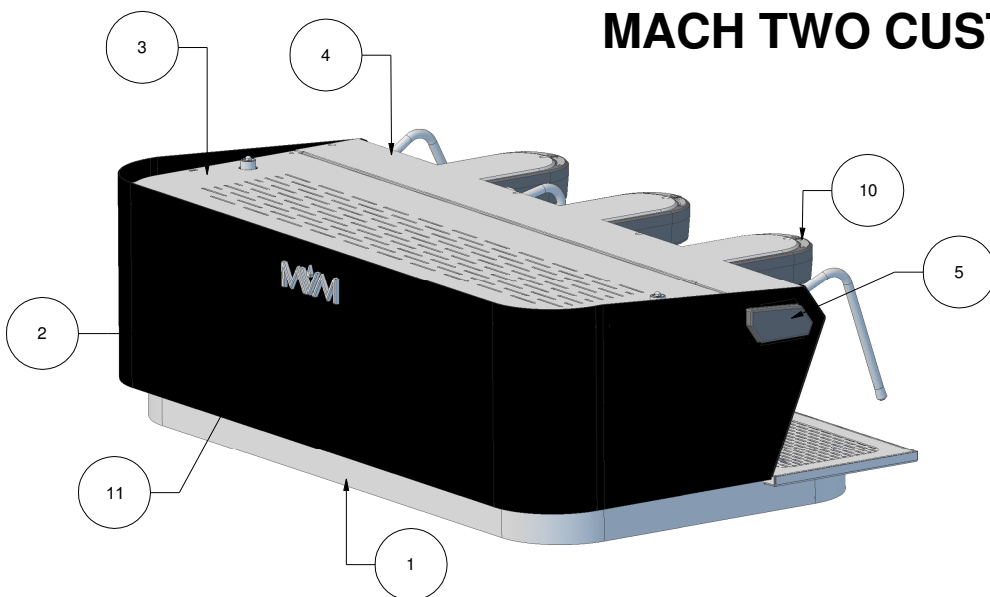




## MACH TWO CUSTOMIZATION OPTIONS



<u>Item Number</u>	<u>Part Name</u>	<u>Standard</u>	<u>Customization Options</u>
1	Lower Main Frame	Black Powder Coating	Powder Coating or Plating
2	Back and Side Panels	Black Powder Coating	Powder Coating or Plating
3	Cup Tray	Brushed Stainless Steel	Powder Coating or Plating
4	Group Mounting Top	Brushed Stainless Steel	Powder Coating or Plating
5	Steam Activator	Black Anodised	Plating
6	Steam and Hot Water Wands	Polished Stainless Steel	Plating
7	Group Activation Levers	Black Anodised	Plating
8	Group Head	Brushed Stainless Steel	Plating
9	Drip Tray	Brushed Stainless Steel	Plating
10	Activation Pad	Black Delrin	Not Available
11	Mavam Logo	Black Powder Coating	Powder Coating or Plating

### Powder Coating Details

\$500 for #1, #2, and #11

\$1,750 for full machine (excludes #5, #6, #7 #8 and #9).

Available in any color from the RAL catalog

### Plating Details

\$880 for accents (#1, #5, #6, and #11)

\$3,000 for full machine

Available in Nickel, Copper or Brass

Finish available: Polished, Satin or Antique style.

(Gold also available, call for pricing)